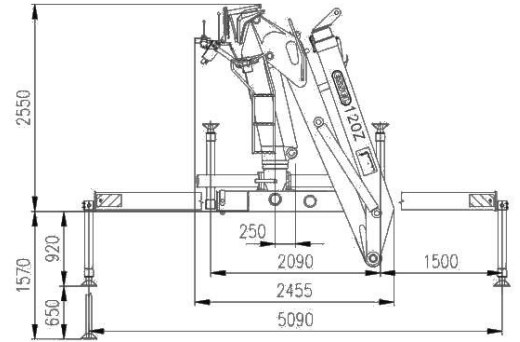
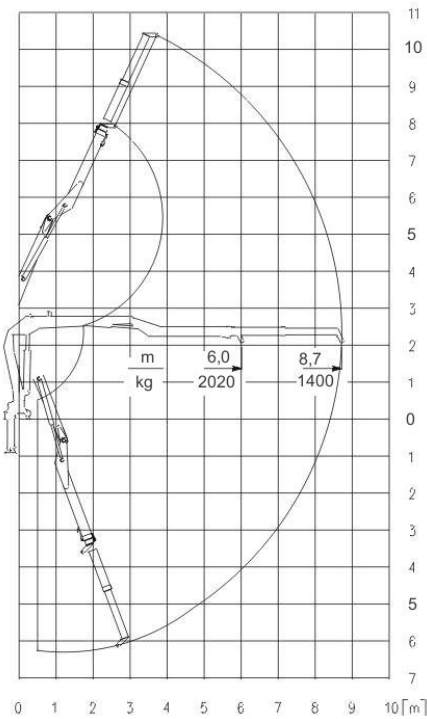
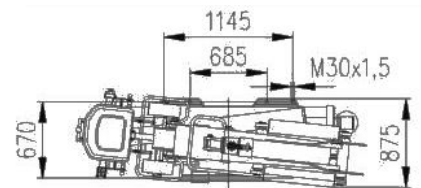


Technical data

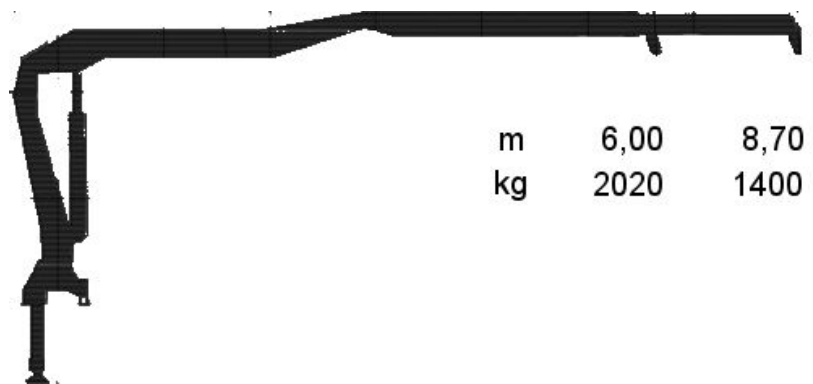
ESSEL Hydraulic crane ESSEL 120Z	
Max. tilting moment	119,8 k.Nm
Max. Working radius	8700 mm
Lifting capacity	8,70/1400 6,00/2002 m/kg
Angle of shift	407 °
Shift torsion moment	15 k.Nm
Oil tank content volume	175 l
Operating pressure	25 MPa
Max. oil flow	2x65 l/min
Weight	2120 kg



SIZE



LIFTING CAPACITY DIAGRAM



LOADING DIAGRAM