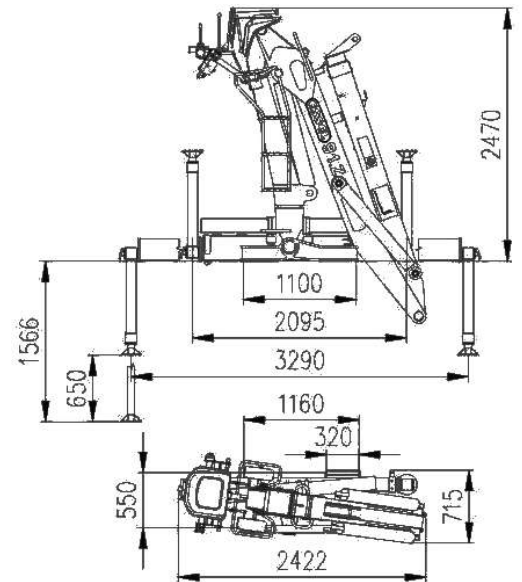
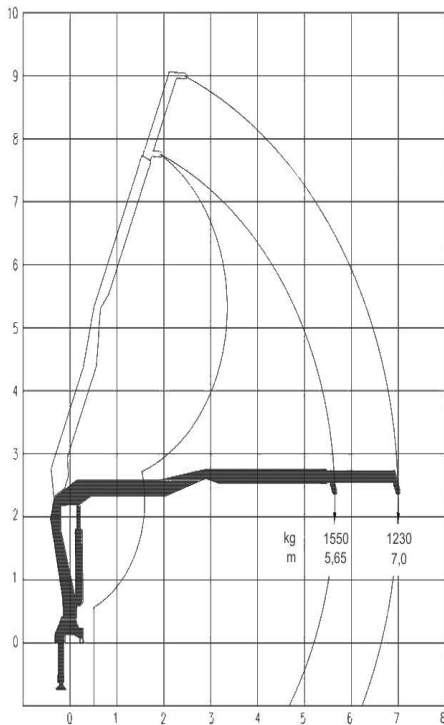


Technical data

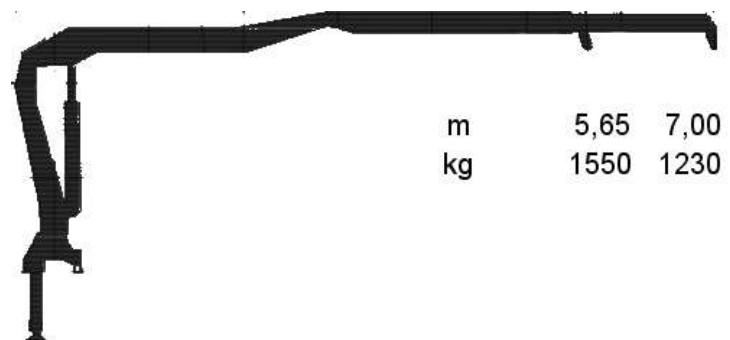
ESSEL Hydraulic crane ESSEL 90z	
Max. tilting moment	88 k.Nm
Max. Working radius	7000 mm
Lifting capacity	7,0/1230 5,65/1550 m/kg
Angle of shift	380 °
Shift torsion moment	15 k.Nm
Oil tank content volume	160 l
Operating pressure	21 MPa
Max. oil flow	2x55 l/min
Weight	1530 kg



SIZE



LOADING DIAGRAM



LIFTING CAPACITY DIAGRAM