
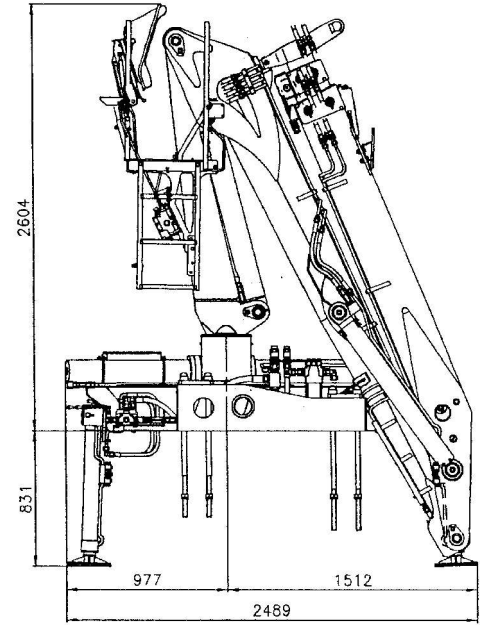
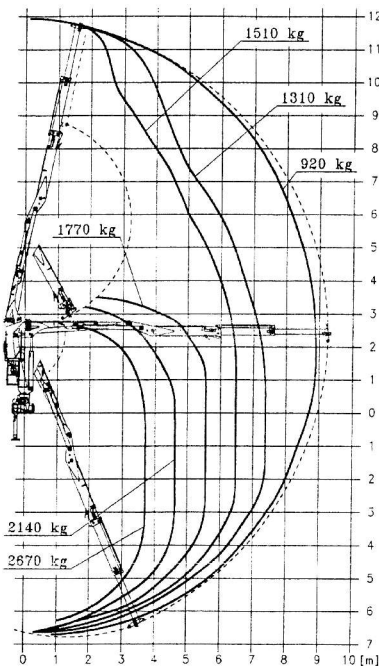
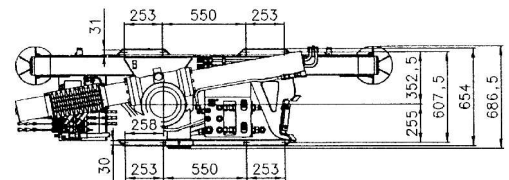


Technical data

 Hydraulic crane Ostroj WM105NT	
Max. tilting moment	105 k.Nm
Max. working radius	9240 mm
Lifting capacity	8,9/ 920 5,00/2140 m/ kg
Angle of shift	416 °
Shift torsion moment	27,4 k.Nm
Oil tank content volume	220 l
Operating pressure	25 MPa
Max. oil flow	2x60 l/min
Weight	2489 kg



SIZE



LOADING DIAGRAM

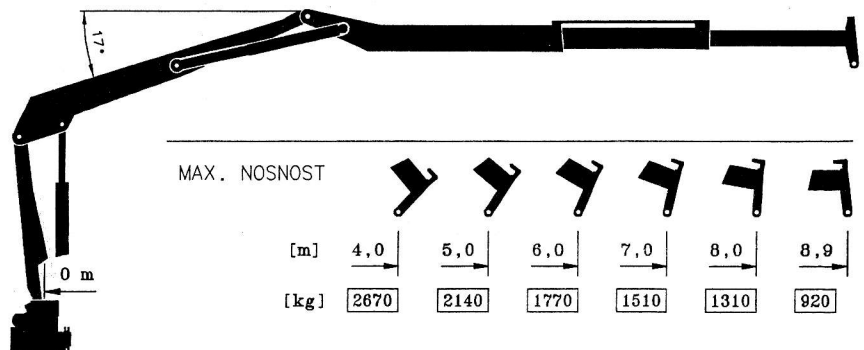


TABLE OF LIFTING CAPACITY