
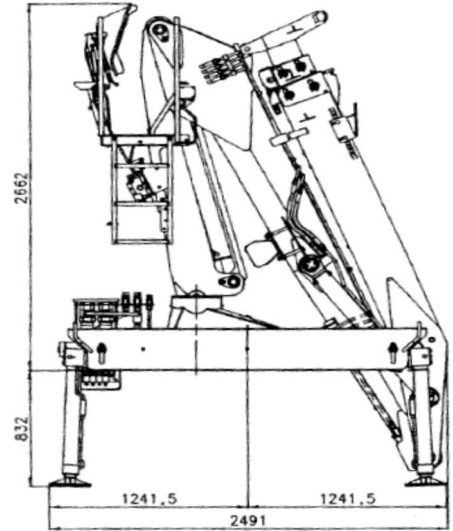
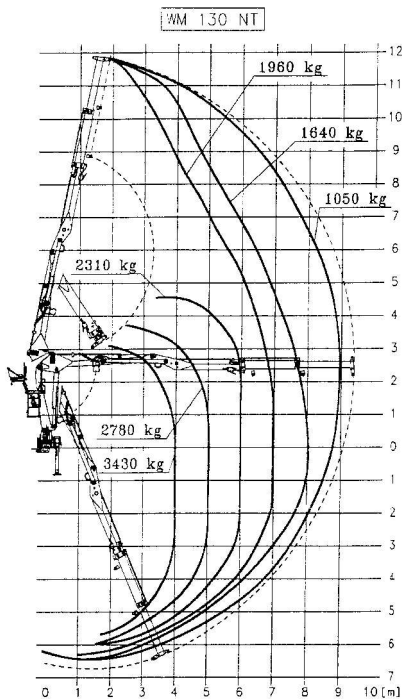


Technical data

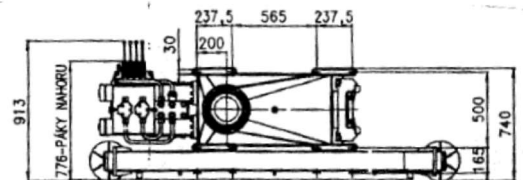
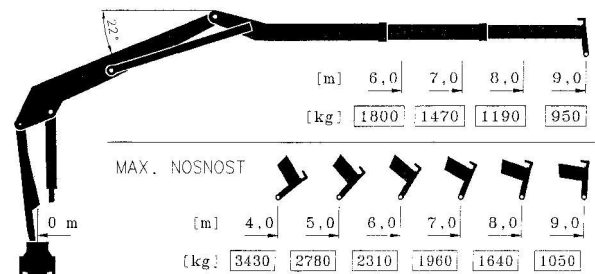
 Hydraulic crane Ostroj WM130NT			
Max. tilting moment	88	k.Nm	
Max. Working radius	7000	mm	
Lifting capacity	7,0/1230	5,65/1550	m/kg
Angle of shift	380	°	
Shift torsion moment	15	k.Nm	
Oil tank content volume	160	l	
Operating pressure	21	MPa	
Max. oil flow	2x55	l/min	
Weight	1530	kg	



SIZE



LOADING DIAGRAM

[m]	6,0	7,0	8,0	9,0		
[kg]	1800	1470	1190	950		
MAX. NOSNOST						
[m]	4,0	5,0	6,0	7,0	8,0	9,0
[kg]	3430	2780	2310	1960	1640	1050

TABLE OF LIFTING CAPACITY