
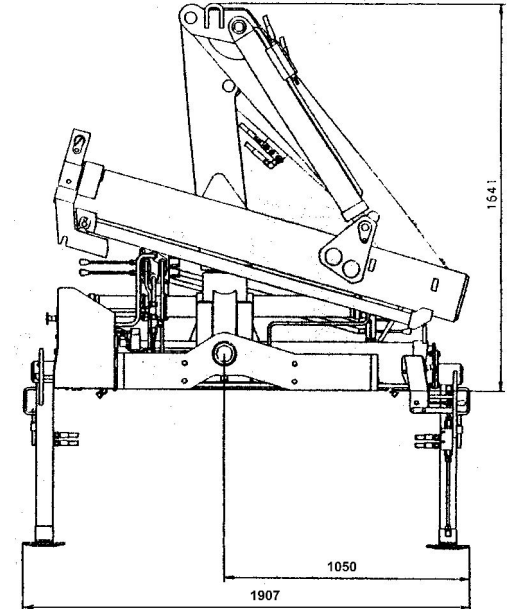
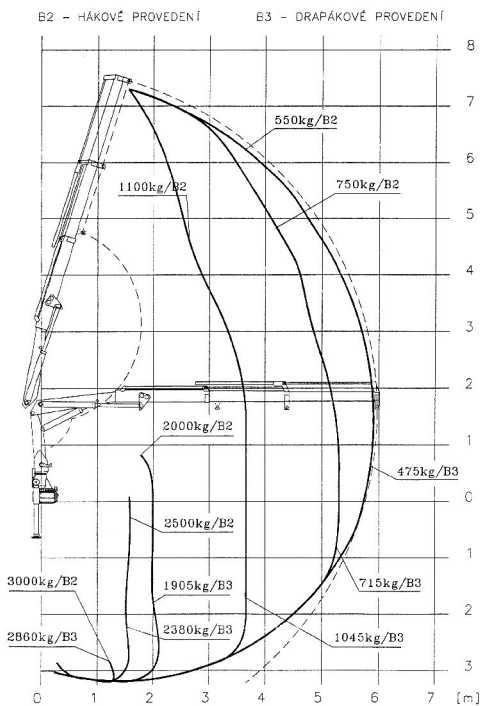


Technical data

 Hydraulic crane Ostroj NJ 35-2	
Max. tilting moment	34,1 k.Nm
Max. working radius	5970 mm
Lifting capacity	5,9 / 550 3,20 / 1100 m/kg
Angle of shift	370 °
Shift torsion moment	27,4 k.Nm
Oil tank content volume	28 dm3
Operating pressure	21,5 MPa
Max. oil flow	20-25 dm3 /min
Weight	630 kg



SIZE



LOADING DIAGRAM

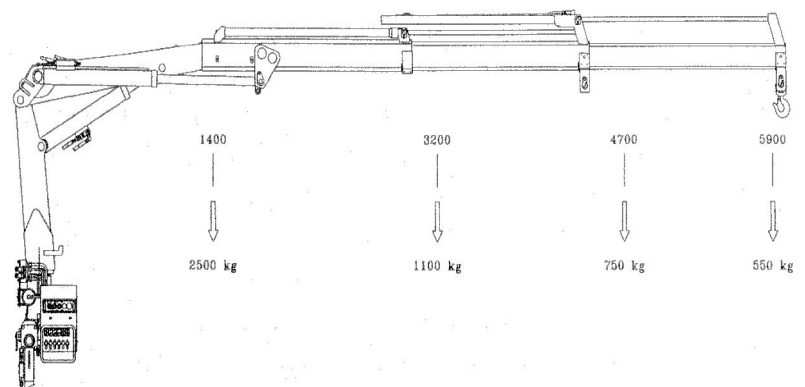
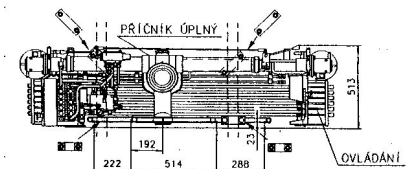


TABLE OF LIFTING CAPACITY